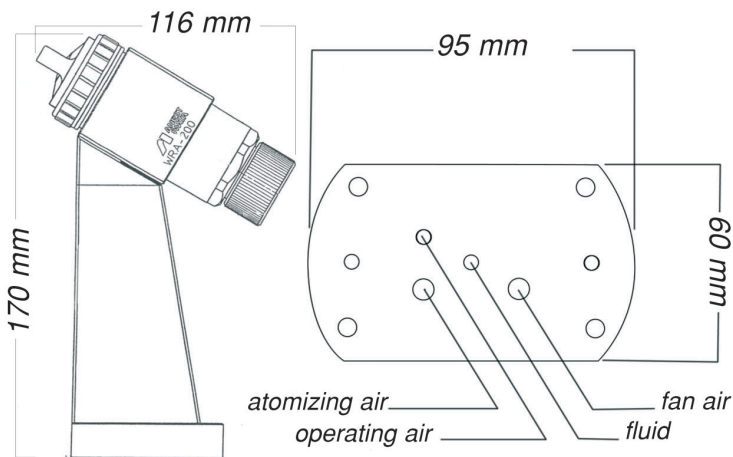




WRA200 S19 Automatic Spray Gun



Robot application

Model	Ø mm	bar		Nl/min	ml/min	mm	No.	Type of feed	g
		atomizing air	fan air						
WRA200 S19 08P	0.8	1.5	2.0	420	150	200	WB1	pressure	1030
WRA200 S19 10P	1.0				200	240			
WRA200 S19 12P	1.2				250	260			
WRA200 S19 14P	1.4				250	280			

CE **Ex** **II 2 G X**

declaration of ATEX conformity for use in zone 1 and in zone 2