




ADG-1 DRYER GUN AQUADRY

GB Before use, adjustment or maintenance, it is important to read this instruction manual very carefully. This manual must be stored in a safe place for any future reference that may be necessary.

IMPORTANT

This dryer gun should be operated only by an adequately trained operator, for safe use and maintenance of the equipment. Any misuse or handling other than those indicated in this Instruction Manual is not covered by guarantee. ANEST IWATA disclaims all responsibility for any accident or damage caused by failure to observe the operational and safety procedures as from this manual. In the interest of user friendliness, this manual contains information in a brief and concise form. For any additional information you may require regarding spray guns operations, or if any missing parts or any damage during transportation is found, please contact your nearest ANEST IWATA Company (see last cover page).

Be sure to observe warnings and cautions in this instruction manual. If not, it can cause paint ejection and serious bodily injury by drawing organic solvent. Be sure to observe following  marked items which are especially important.

 WARNING	Indicates a potentially hazardous situation which, if not avoided, may result in serious injury or loss of life.
 CAUTION	Indicates a potentially hazardous situation which, if not avoided, may result in minor or moderate injury or property damage.
IMPORTANT	Indicates notes which we ask you to observe. The safety precautions in this instruction manual are the minimum necessary conditions. Follow national and local regulations regarding fire prevention, electricity and safety as well as your own company regulations.

IMPORTANT SPECIFICATIONS

Maximum working pressure:	6.8 bar (98 PSI)
Noise Level (LAeqT):	78 dB (A)
Temperature range:	5~40 °C

TECHNICAL SPECIFICATIONS

Name of product	Model	Standard working pressure Bar (PSI)	Air consumption l/min (cfm)
Dryer Gun	ADG-1	0.1 (43)	390 (13.8)

Manufactured by:
ANEST IWATA Corporation 3176,Shinyoshida-cho, Kohoku-ku, Yokohama, 223-8501 Japan



ANEST IWATA Europe S.r.l.
46, Corso Vigevano 10155, Torino Italy
Direct Tel. +39 011 - 24 80 868
Fax +39 011 - 22 74 406
info@anest-iwataeu.com
www.anest-iwataeu.com



ANEST IWATA Italia S.r.l.
46, Corso Vigevano 10155, Torino (Italy)
Tel. diretto +39 011 - 24 80 868 - Fax +39 011 - 85 19 44
info@anest-iwataeu.com www.anest-iwata.it

ANEST IWATA Europe S.r.l.
SUCURSAL ESPAÑA Y PORTUGAL
Avda.del Maresme, 44-46 Planta 2 OF. 25 / 08918 - Badalona
(Barcelona)
Tel.:+34 933 20 59 93 - Fax.:+34 933 20 55 64 - info@anest-iwata.es

ANEST IWATA Europe S.r.l.
NIEDERLASSUNG DEUTSCHLAND
Dorfäckerstr. 25, 74248 Ellhofen
Telefon: +49 (0)7134- 917368 - Fax: +49 (0)7134 - 917378
Handy: +49 (0)172 - 62 74 542
f.e.anest-iwata@t-online.de www.anest-iwata.de

European Sales Branches:

ANEST IWATA Scandinavia AB.
Ögärdesvägen 6C, 433 30 PARTILLE
Tel. +46 (0)31 - 340 28 60 - Fax +46 (0)31 - 340 28 69
info@anest-iwata.se www.anest-iwata.se

ANEST IWATA France S.A.
25 rue de Madrid - BP 7405 38074 St Quentin Fallavier
Tél. +33 (0)4 - 74 94 59 69 - Fax +33 (0)4 - 74 94 34 39
info@anest-iwata.fr www.anest-iwata.fr

ANEST IWATA U.K. Ltd.
Unit 10 Little End Road - Eaton Socon
St. Neots - CAMBRIDGESHIRE
PE19 8JH
Tel.: +44 (0) 1480 405419 Fax: +44 (0) 1480 217610
enquiries@anest-iwata.co.uk www.anest-iwata.co.uk

BEFORE USE



WARNING

- Securely fix air hose with spanner. If hose is disconnected during operation, uncontrollable hose movement can cause bodily injury.
- Air spray makes noise. Be sure to wear earplugs during operation.
- When blowing dust or spraying liquid, be sure to wear protective glasses. If not, foreign matter can enter your eyes, which is very dangerous.
- Never point the gun in the direction of human body or animals. If done, high pressure from gun can be very dangerous.
- Never exceed the maximum safe working pressure in order to avoid causing damage to the gun, air hose, joint and air control equipment respectively. If done it can cause serious bodily injury.
- Never use gas other than compressed air. If done it can cause difficulty breathing, fire and explosion.
- Never alter this product or use other than genuine parts. Immediately replace parts if parts are damaged or worn out.



CAUTION

- When using the gun for the first time after purchasing, point it towards thick cloth whilst using idle spray. If not, anti-corrosive oil in the product can spray outward and attach to work.
- Use clean air filtered through dryer and filter. If not, dirty air can taint work.



MAINTENANCE AND INSPECTION

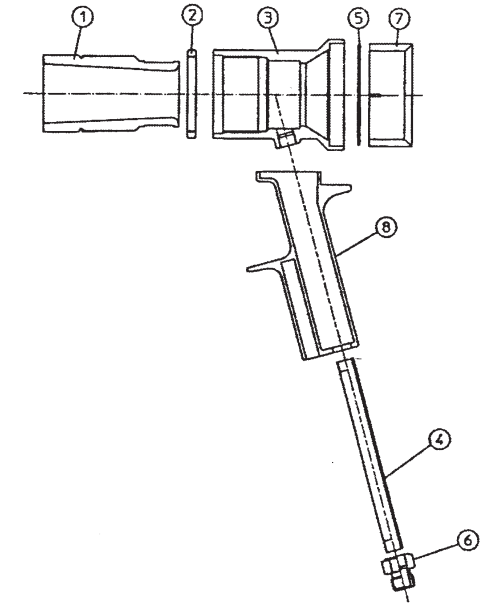


CAUTION

- Be sure to shut off air supply before doing the maintenance and inspection.
- If not, parts can fly out and cause injury.

PARTS LIST

DESCRIPTION	REF. PART
NOZZLE	1
JAM NUT	2
GUN BODY	3
AIR PIPE	4
FILTER SET	5
AIR NIPPLE	6
COVER	7
HANDLE	8



HOW TO ADJUST

In order to adjust the air output turn nozzle (1) clockwise, when viewed from rear of gun set, to obtain the desired air output. To fix the nozzle in the chosen position, turn jam nut (2) anti-clockwise until it blocks.